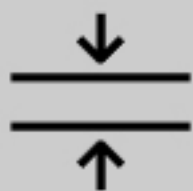
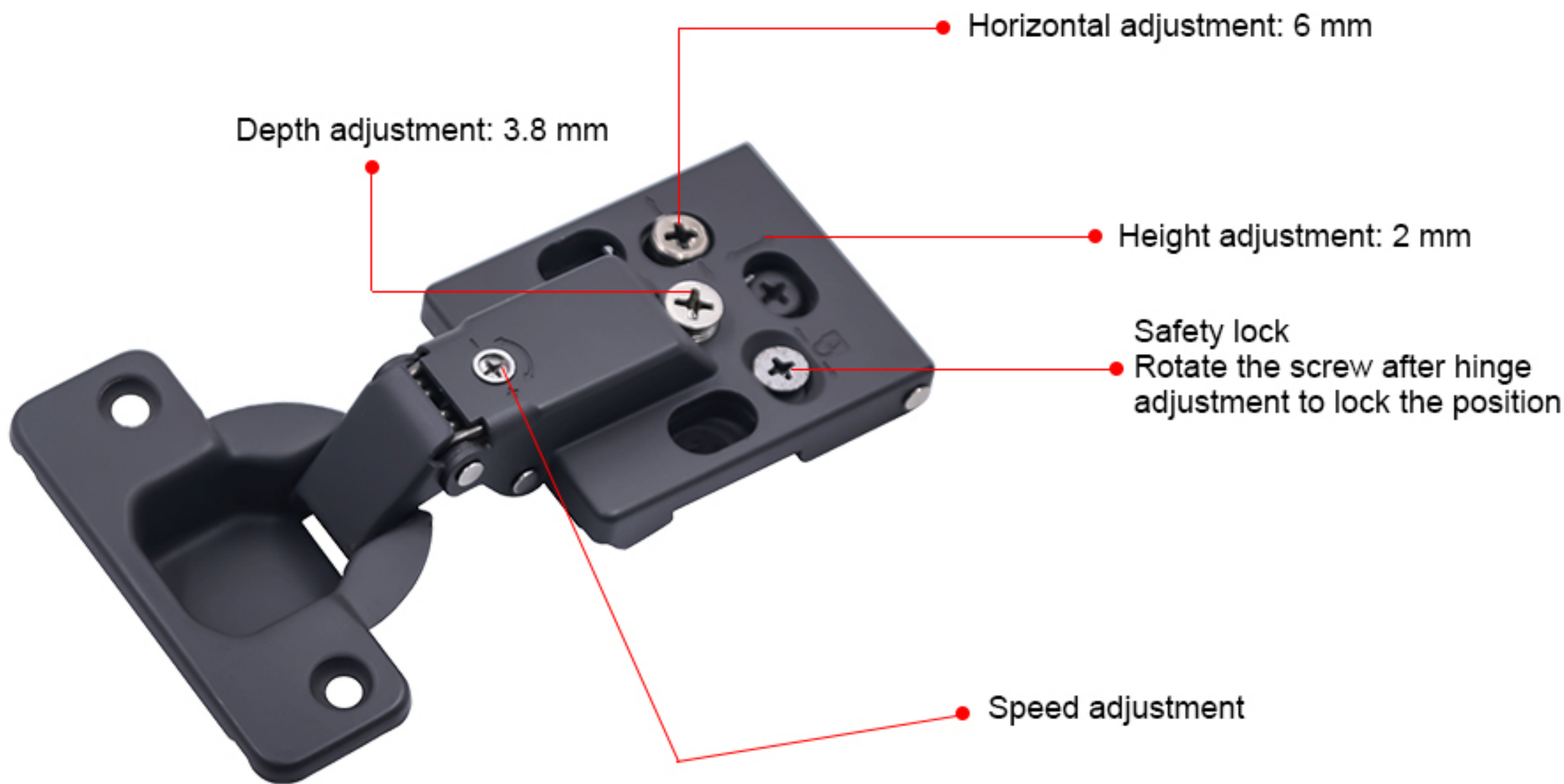


Newly Launched



- Ultra-Thin Design
- Soft-Close Opening/Closing
- Compatible with Wooden Aluminum Frame Doors
- 4D Adjustable
- With Decorative Cover
- Multiple Models Available



Ultra-thin design

4D

4D adjustment



Suitable for
wooden doors

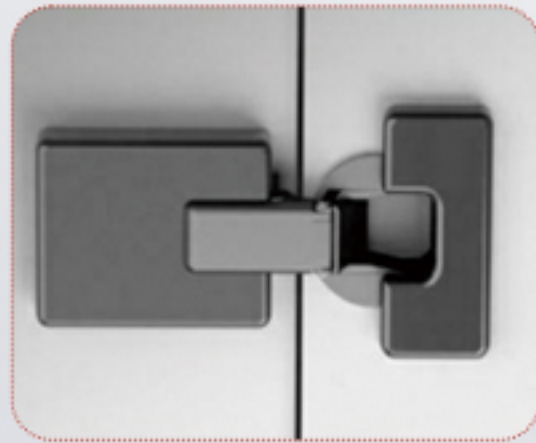


Suitable for
aluminum frames



Multiple
models available

Suitable for wooden and aluminum frame doors



Ultra-Thin Design

Torque opening and closing structure

Three-Stage Force Design



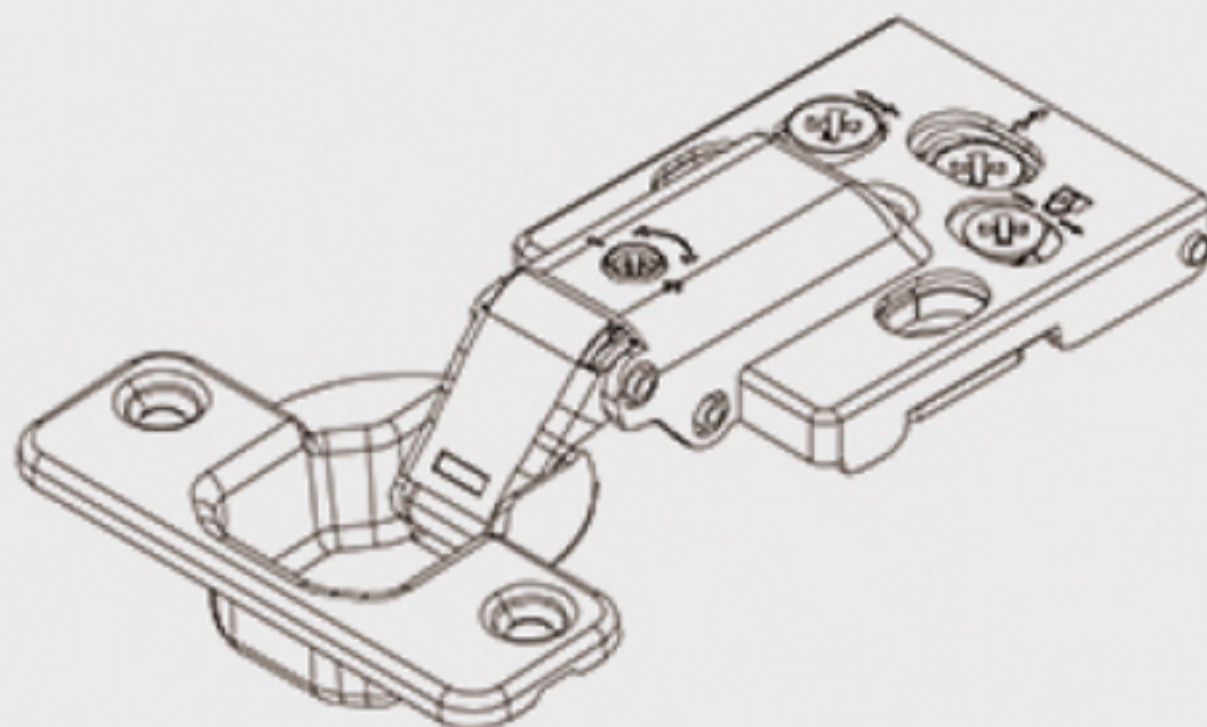
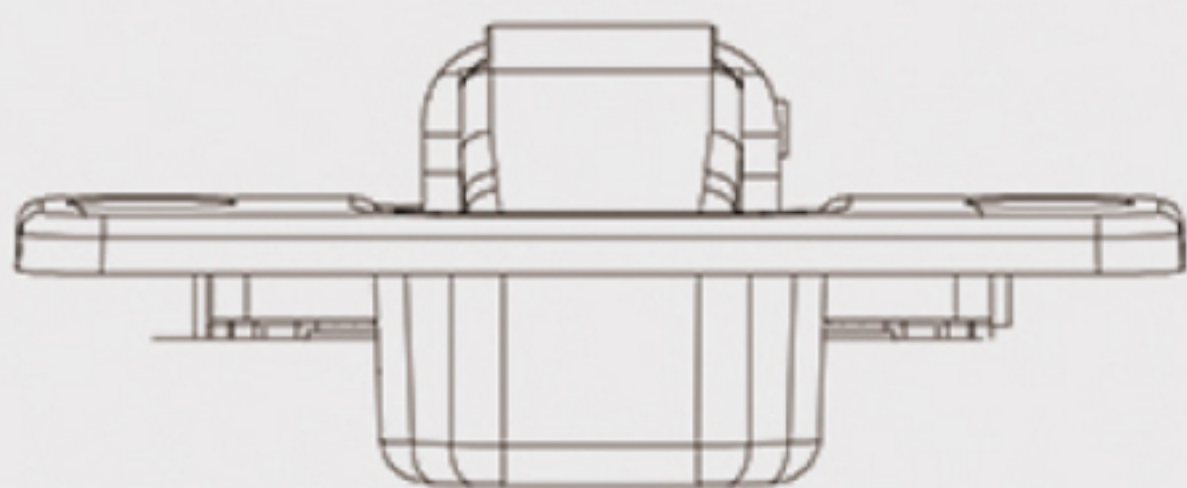
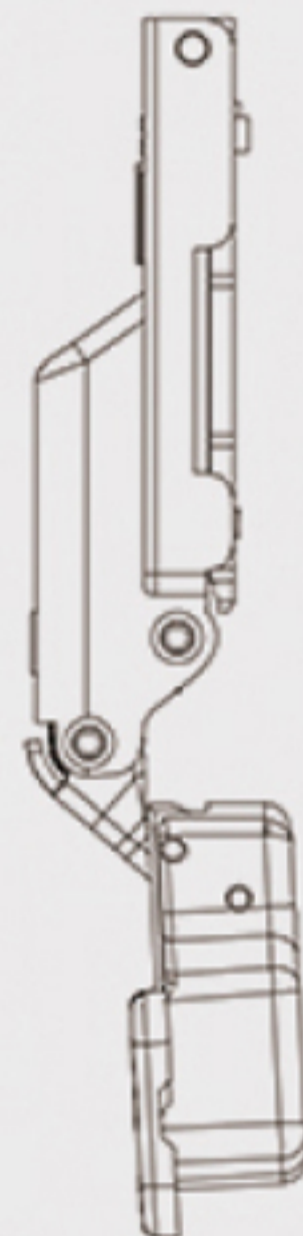
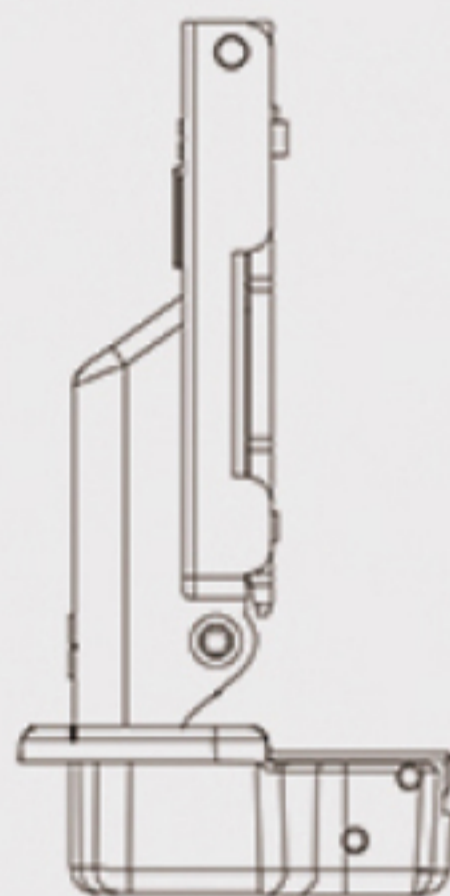
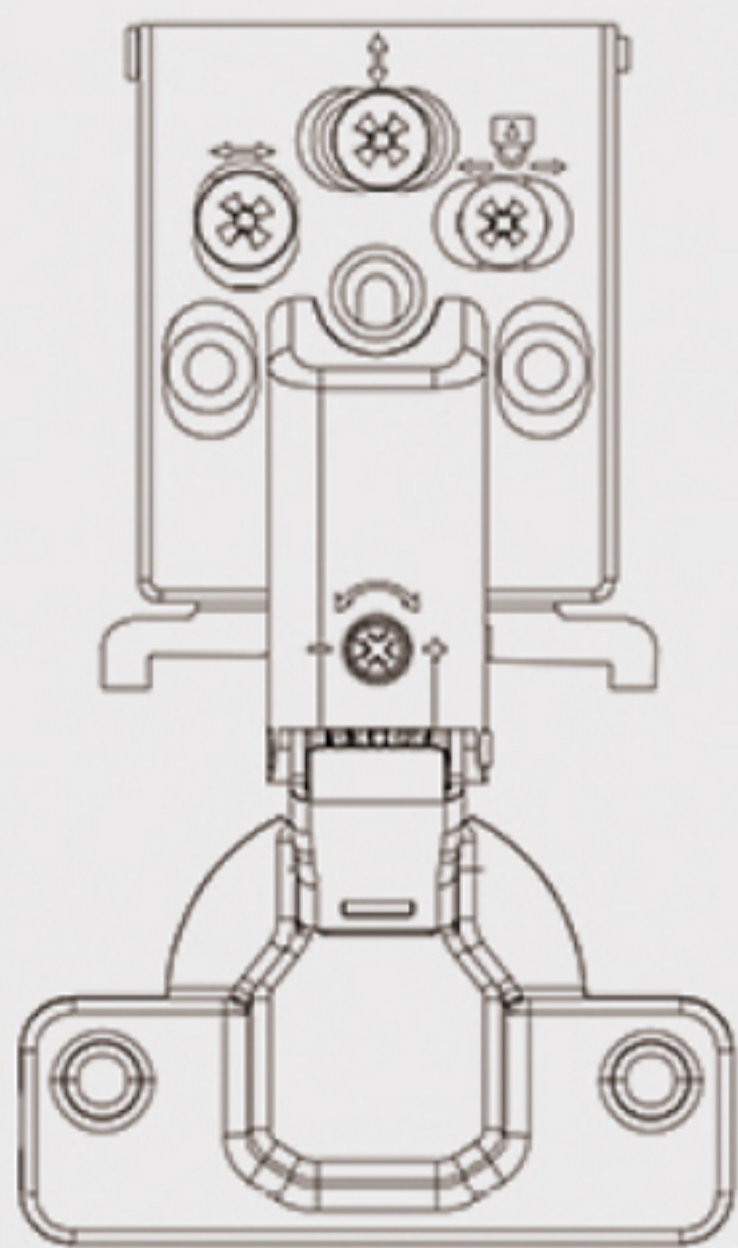
WOODEN DOOR •



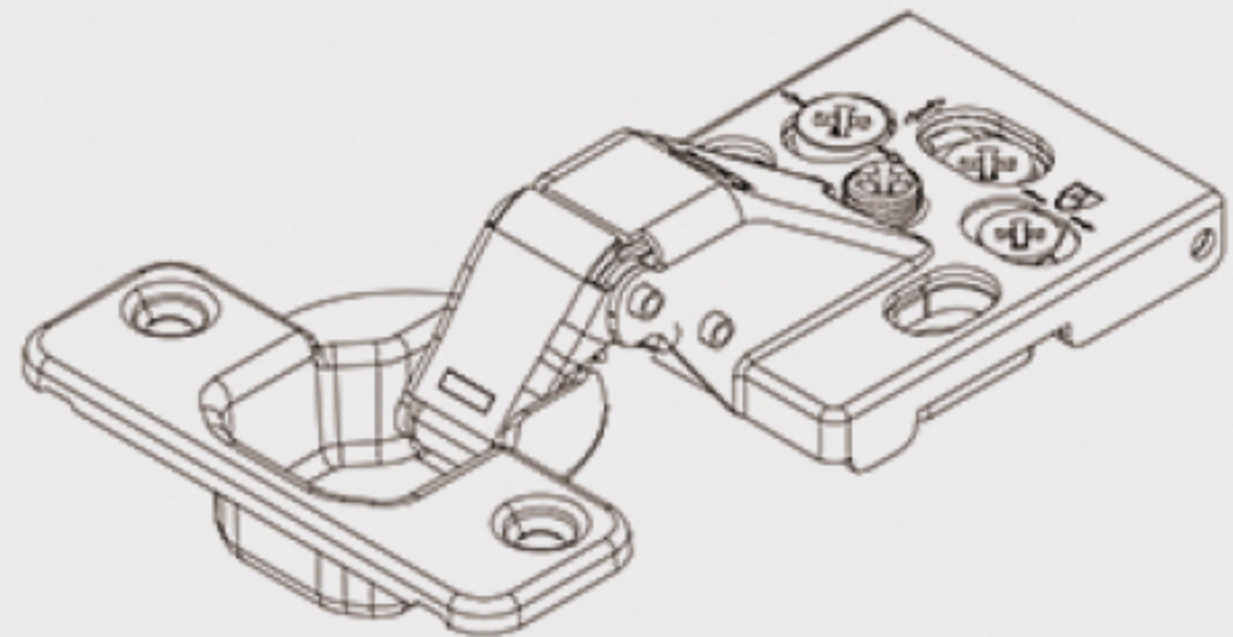
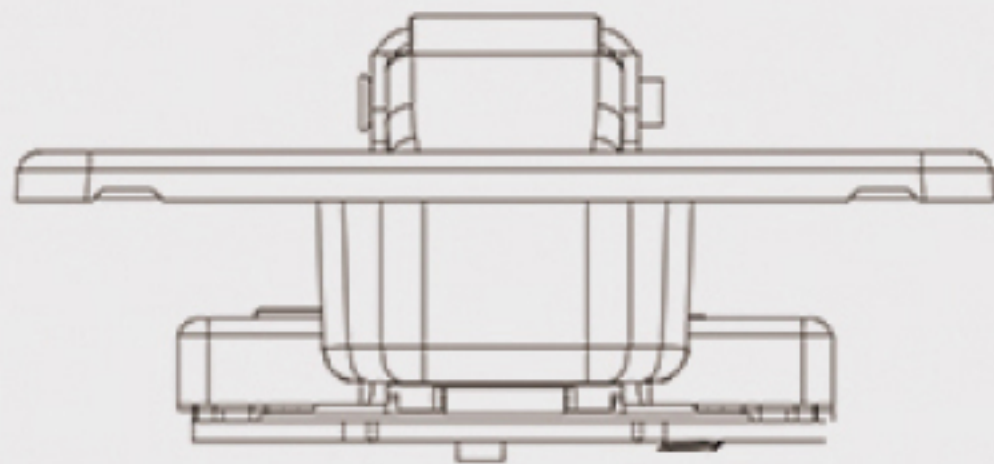
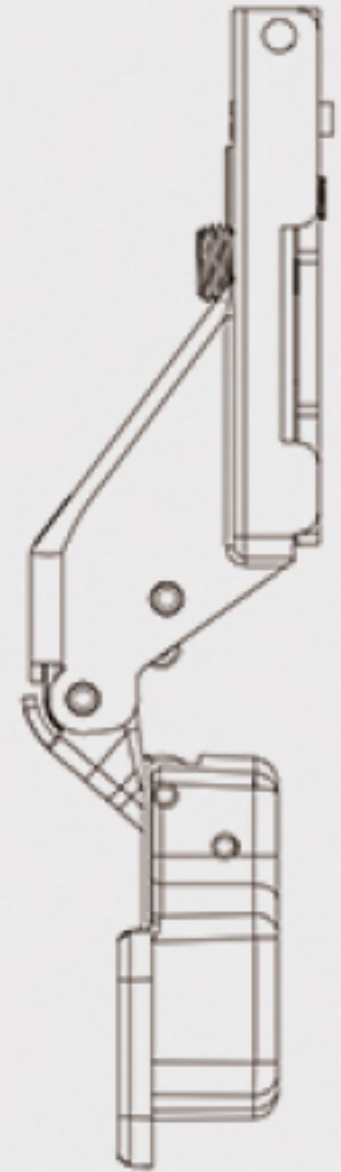
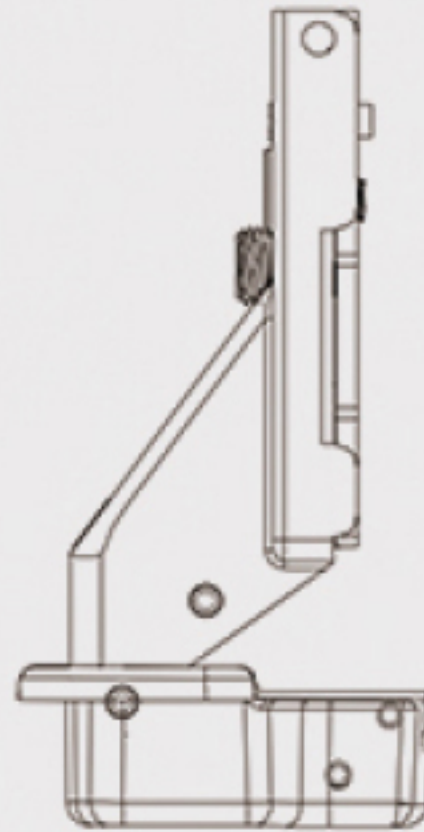
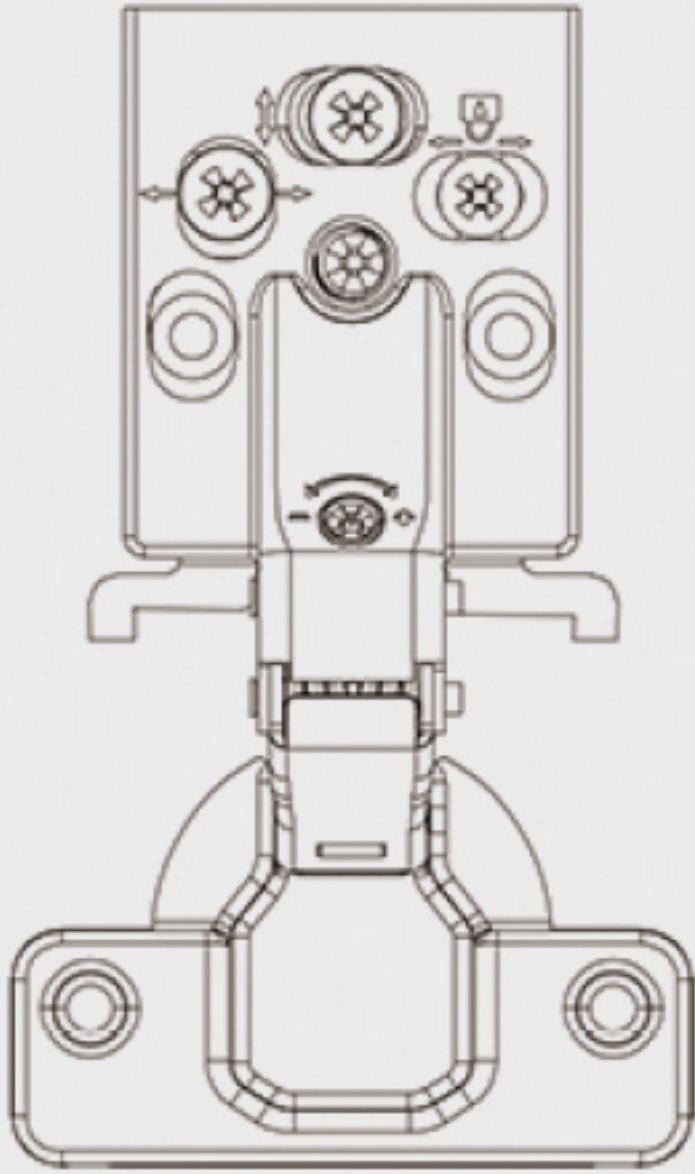
ALUMINUM FRAME DOOR •

Compatible with various models

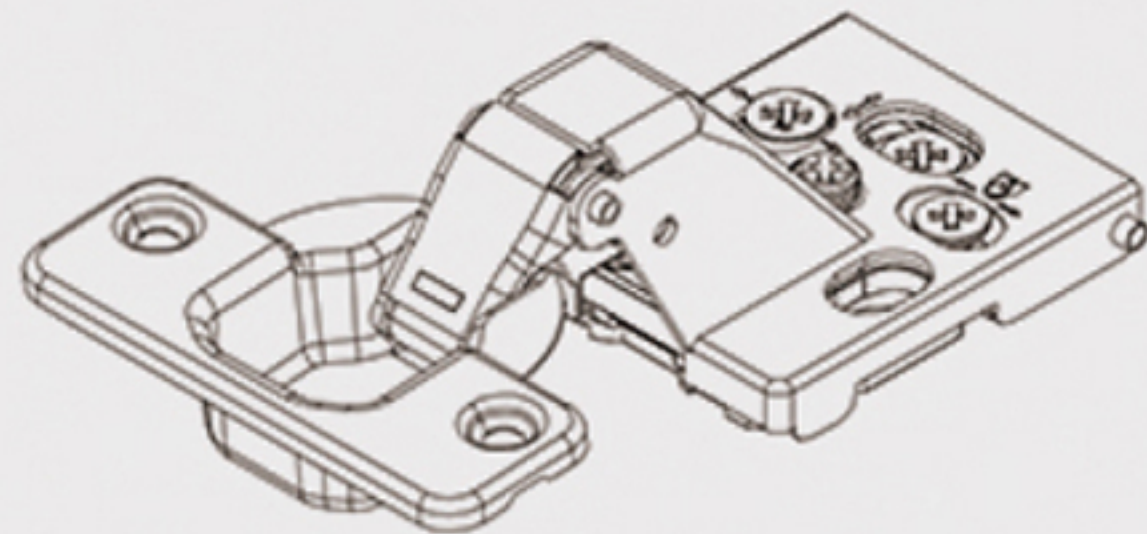
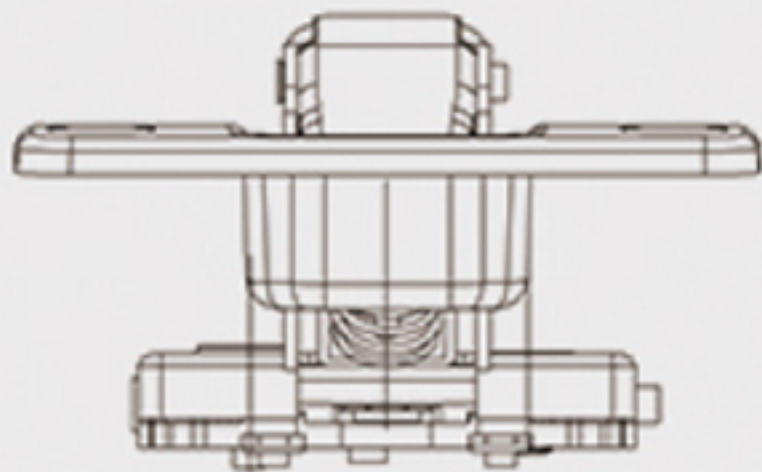
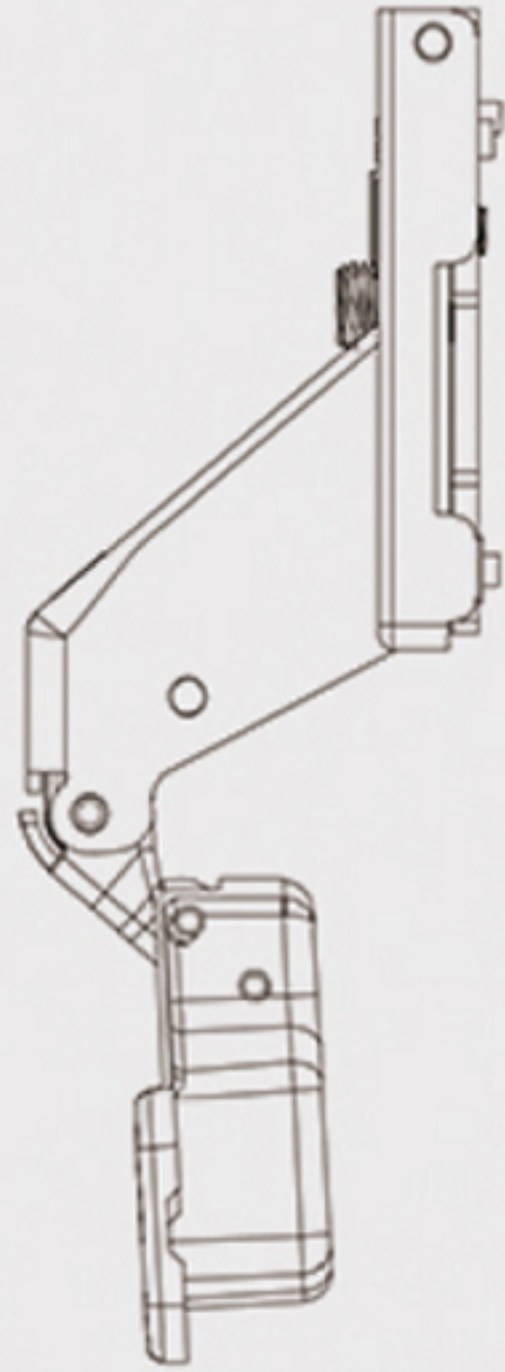
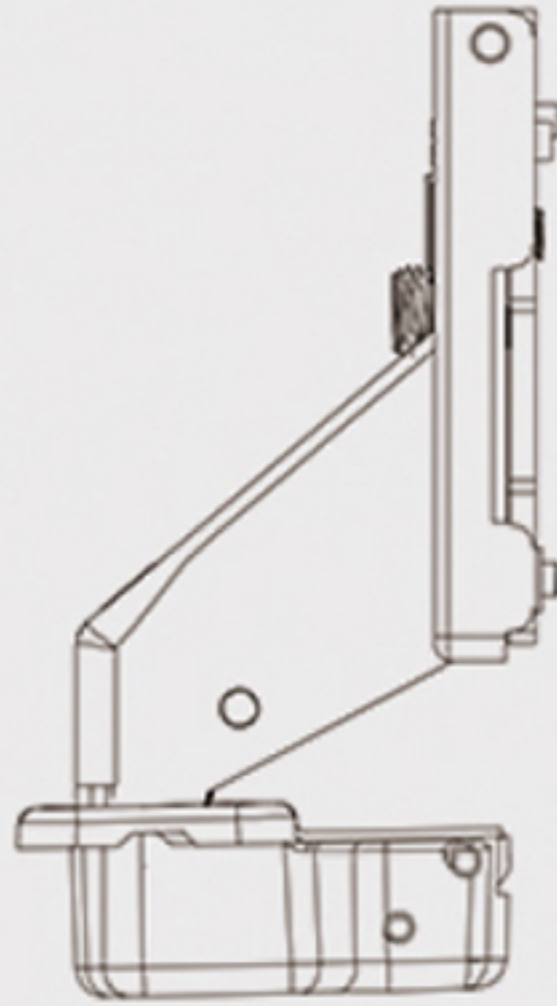
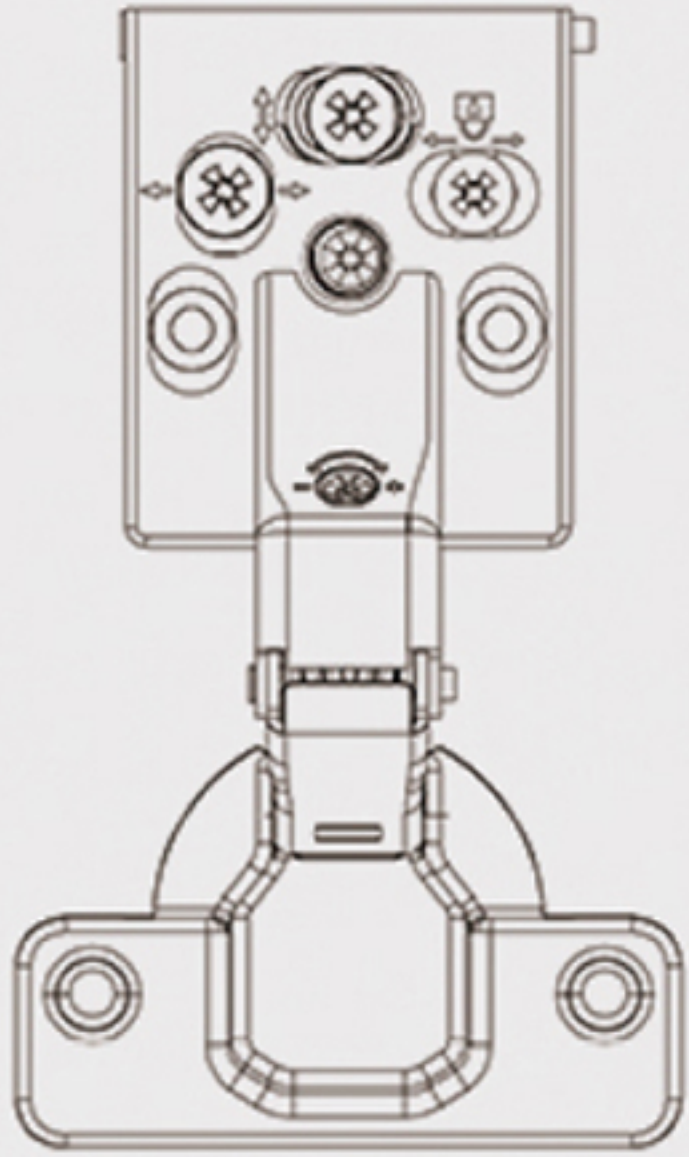
全盖 / Full Overlay



半盖 / Half Overlay



内嵌 / Inset



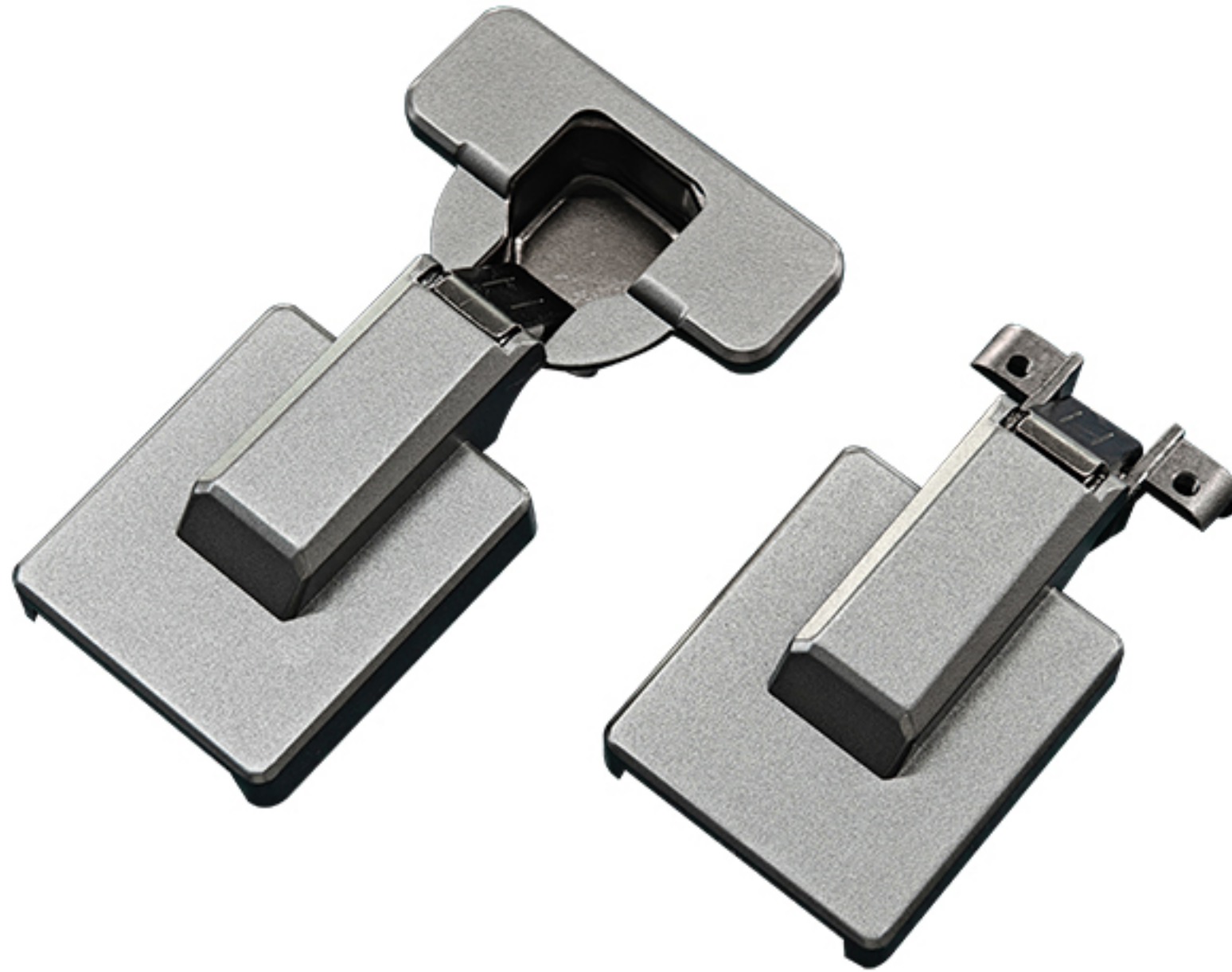
Suitable for various applications



Ultra-thin hinge advantages

perfectly integrates into home design





Product Information

Product Name:

35 Cup 4D Ultra-thin Soft-closing Hinge

Applicable Door Thickness:

18–26 mm

Adjustment Range:

4D Adjustment

Surface Finish:

Electroplated

Product Model:

HB316

Opening Angle:

98°

Main Material:

Zinc Alloy + Manganese Steel

Load Capacity:

5.5 kg